

ENDOSCOPE DISINFECTION GUIDE

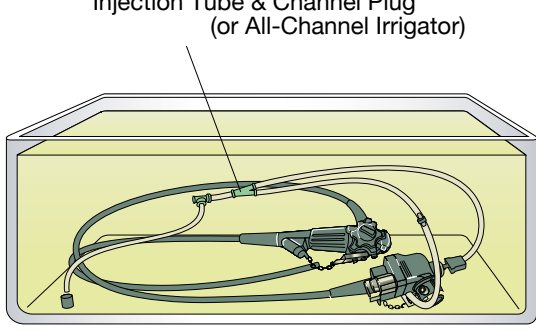
Ultrasound Gastrovideoscopes

Refer to companion *ENDOSCOPE CLEANING GUIDE* for cleaning information

WARNING: This guide is only a summary of the steps necessary to properly clean your endoscope. Be sure to follow the detailed steps outlined in the *INSTRUCTION MANUAL* that was included with your endoscope purchase.

HIGH-LEVEL DISINFECTION

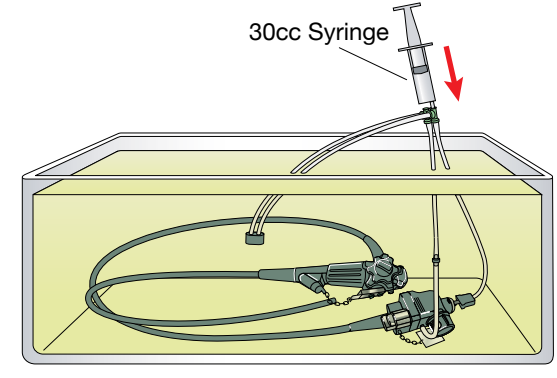
1



Injection Tube & Channel Plug (or All-Channel Irrigator)

Fill basin with disinfectant. Attach channel plug & injection tube (or all-channel irrigator) to previously cleaned endoscope. Immerse completely in disinfection solution.

2

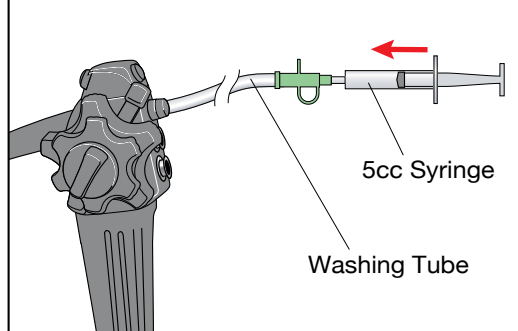


30cc Syringe

Use syringe to completely fill air, water, suction and balloon channels with disinfectant solution.

3

For endoscopes with elevators only:

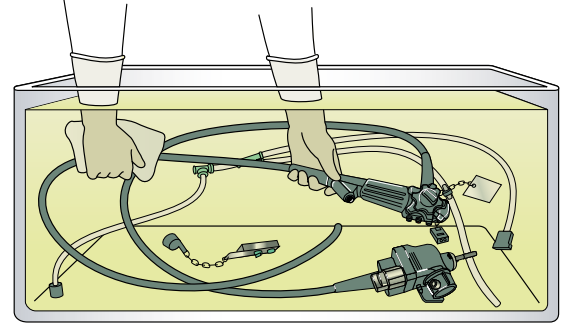


5cc Syringe

Washing Tube

Flush disinfectant solution into elevator-wire channel. Raise the elevator and flush again.

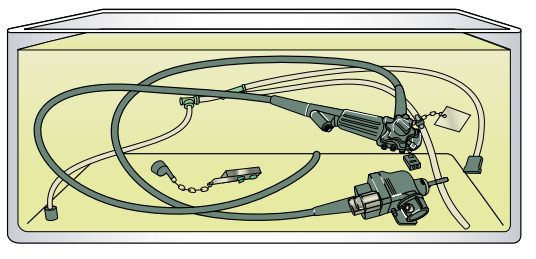
4



While the endoscope is immersed, disconnect cleaning accessories and use a clean lint-free cloth to wipe away any bubbles clinging to external surfaces.

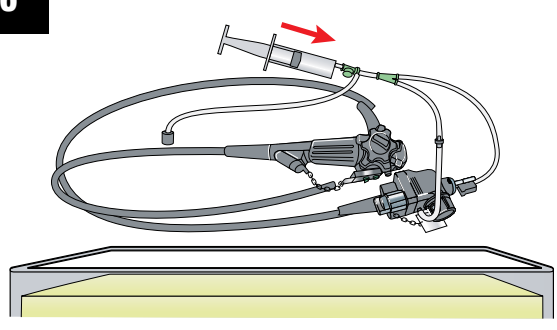
RINSING

5



Soak all equipment according to the disinfectant manufacturer's recommended time and temperature. Use a timer to measure exact contact time.

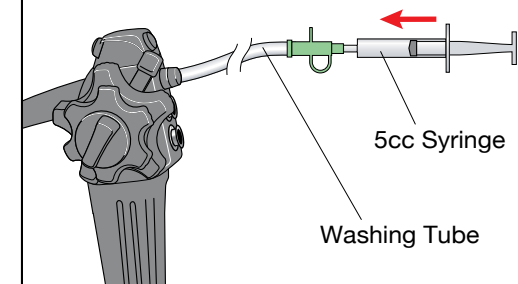
6



Connect channel plug & injection tube (or all-channel irrigator). Inject air to remove disinfectant from air, water, suction and balloon channels. Remove endoscope from disinfectant.

7

For endoscopes with elevators only:



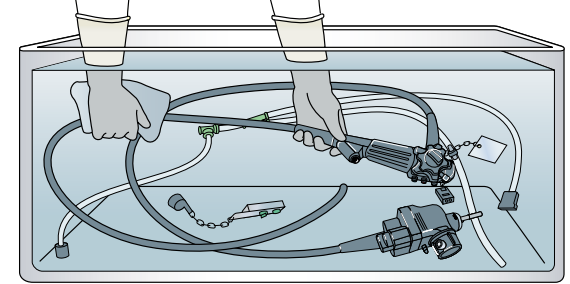
5cc Syringe

Washing Tube

Inject air into the elevator-wire channel to remove disinfectant.

8

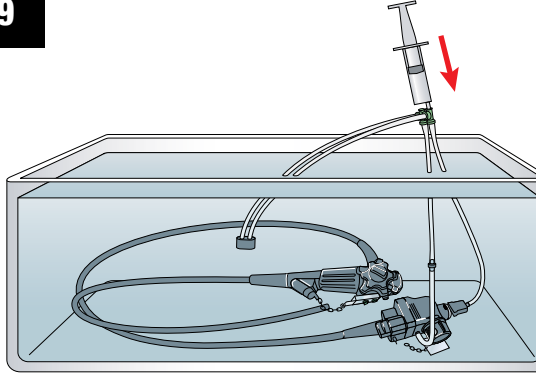
CAUTION: Follow disinfectant manufacturer's rinsing instructions.



Disconnect channel plug & injection tube (or all-channel irrigator). Immerse endoscope and detached parts in water. Thoroughly rinse all external surfaces.

DRYING

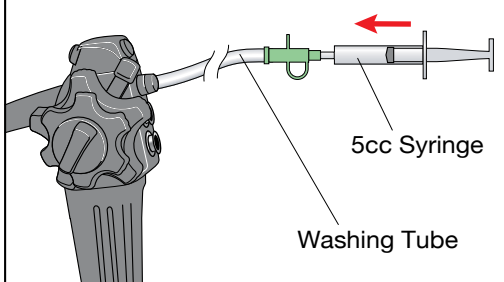
9



Connect channel plug & injection tube (or all-channel irrigator) to endoscope. Use a syringe to flush water through air, water, suction and balloon channels.

10

For endoscopes with elevators only:

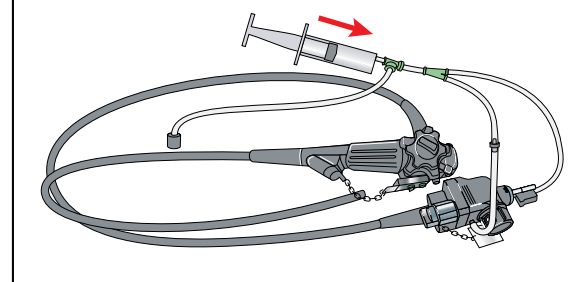


5cc Syringe

Washing Tube

Flush water into elevator-wire channel.

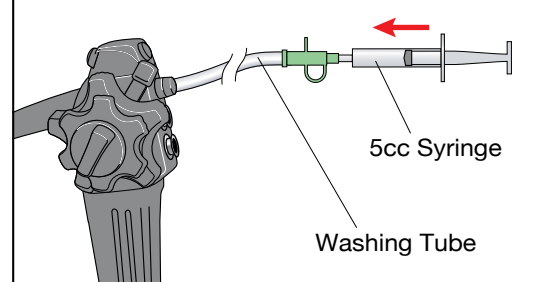
11



Remove endoscope from rinse water. Use syringe to inject air through air, water, suction and balloon channels, expelling the rinse water.

12

For endoscopes with elevators only:

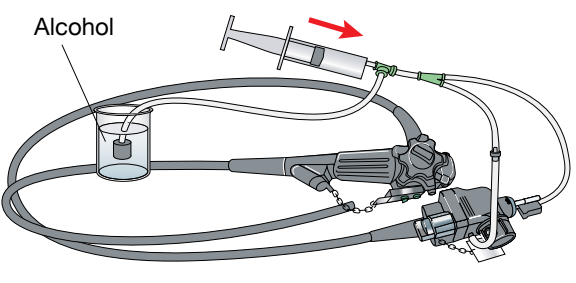


5cc Syringe

Washing Tube

Inject air to flush water from elevator-wire channel.

13

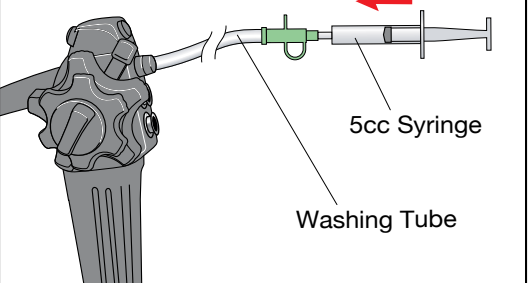


Alcohol

Use syringe to flush 70% alcohol through air, water, suction and balloon channels. Inject air to remove retained alcohol.

14

For endoscopes with elevators only:

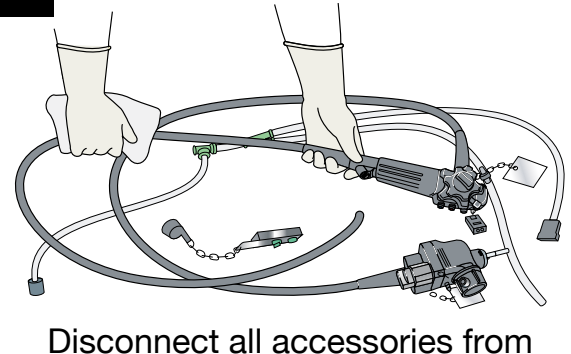


5cc Syringe

Washing Tube

Flush 70% alcohol into elevator-wire channel. Inject air to remove alcohol.

15



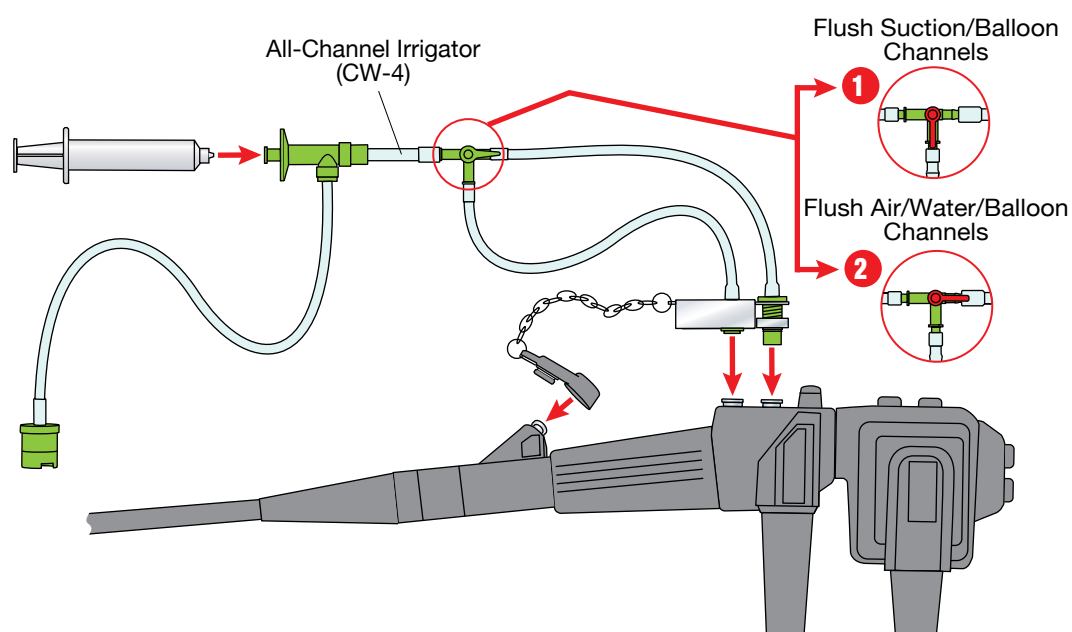
Disconnect all accessories from the endoscope. Dry endoscope and accessories with an alcohol-moistened cloth. Make sure equipment is completely dry prior to storage.

IMPORTANT

- Use a compatible disinfectant and test for proper concentration per manufacturer's instructions.
- Reprocess all removable parts (e.g., valves) according to the reprocessing manual.
- Store endoscope hanging vertically with valves and caps removed, and with locks in the "free" position.

Clean endoscope meticulously prior to disinfection.

Channel Connections for GF-UM Series



Channel Connections for GF-UC Series

