

Flexible Endoscope Cleaning & Disinfection Guide

For use with **CYF-VH/VHR, CYF-V2/V2R, CYF-5/5R, HYF-V/XP/1T**

PRECLEANING

1. Wipe the insertion tube



Gently wipe the external surfaces of the insertion tube with a cloth moistened in detergent solution.

2. Detach accessories



Disconnect the forceps/irrigation plug.

3. Flush detergent



Fill a syringe with detergent solution and flush the solution through the instrument channel three times.



This guide is only a summary of the steps necessary to properly reprocess your endoscope. Follow the detailed steps outlined in the **ENDOSCOPE REPROCESSING MANUAL** that was included with your endoscope.

LEAKAGE TESTING

4. Attach the tester



Attach the leakage tester to the venting connector on the endoscope.

5. Apply pressure

When using MB-155 with MU-1 or the light source



Connect MB-155 to the maintenance unit (MU-1) or the light source and turn the power switch on.

OR

When using WA23070A



Close the pressure release lever. Press the hand pump so that the pointer stays within the green area.

6. Observe



CAUTION: If a leak is detected, remove from water and contact Olympus.

Immerse the entire endoscope in water, observe for 30 seconds while angulating the bending section and confirm that there is no continuous series of bubbles.

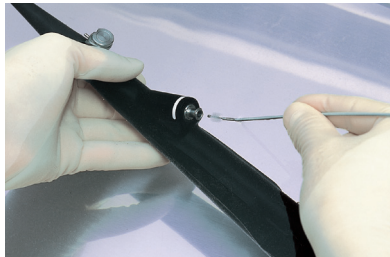
7. Detach the tester



Remove the endoscope from the water and release the air pressure in the endoscope.* Detach the leakage tester from the endoscope.

MANUAL CLEANING

8. Brush the channel



Immerse the endoscope in detergent solution. Clean the external surfaces using a clean cloth. Brush the instrument channel and channel port. Repeat until all debris is removed.

9. Clean the channel



Fill a syringe with detergent solution and flush the solution through the instrument channel three times.

10. Clean the surfaces



Using a lint-free cloth, gently wipe all debris from the endoscope's external surfaces, while the endoscope is immersed in detergent solution. Soak in detergent solution for the recommended time.

11. Rinse the endoscope



Immerse the endoscope in water and rinse. Attach a syringe and flush clean water through the channel three times. Remove the endoscope from the water and inject air three times.

12. Wipe the surfaces



Using a lint-free cloth, thoroughly and gently wipe and dry the external surfaces of the endoscope in preparation for disinfection.

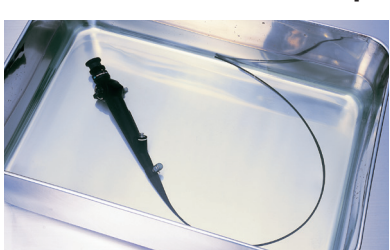
DISINFECTION

13. Flush disinfectant



Immerse the endoscope in the disinfectant solution. Using a syringe, fill the channel with disinfectant solution.

14. Disinfect the endoscope



Disconnect the syringe while the endoscope is immersed. Soak for the time specified by the manufacturer.

15. Inject air



Attach a syringe and flush the channel with water three times. Inject air three times.

RINSING

16. Rinse the surfaces



Immerse the endoscope in water. Using a sterile, lint-free cloth, thoroughly rinse and gently wipe all external surfaces.

17. Rinse the channel



Attach a syringe and flush the channel with water three times. Inject air three times.

18. Flush alcohol and air



Attach a syringe filled with alcohol and flush three times. Inject air three times.

19. Wipe the surfaces



Disconnect the syringe. Using a sterile, lint-free cloth, thoroughly and gently wipe and dry the external surfaces of the endoscope.

20. Wipe the surfaces w/ alcohol

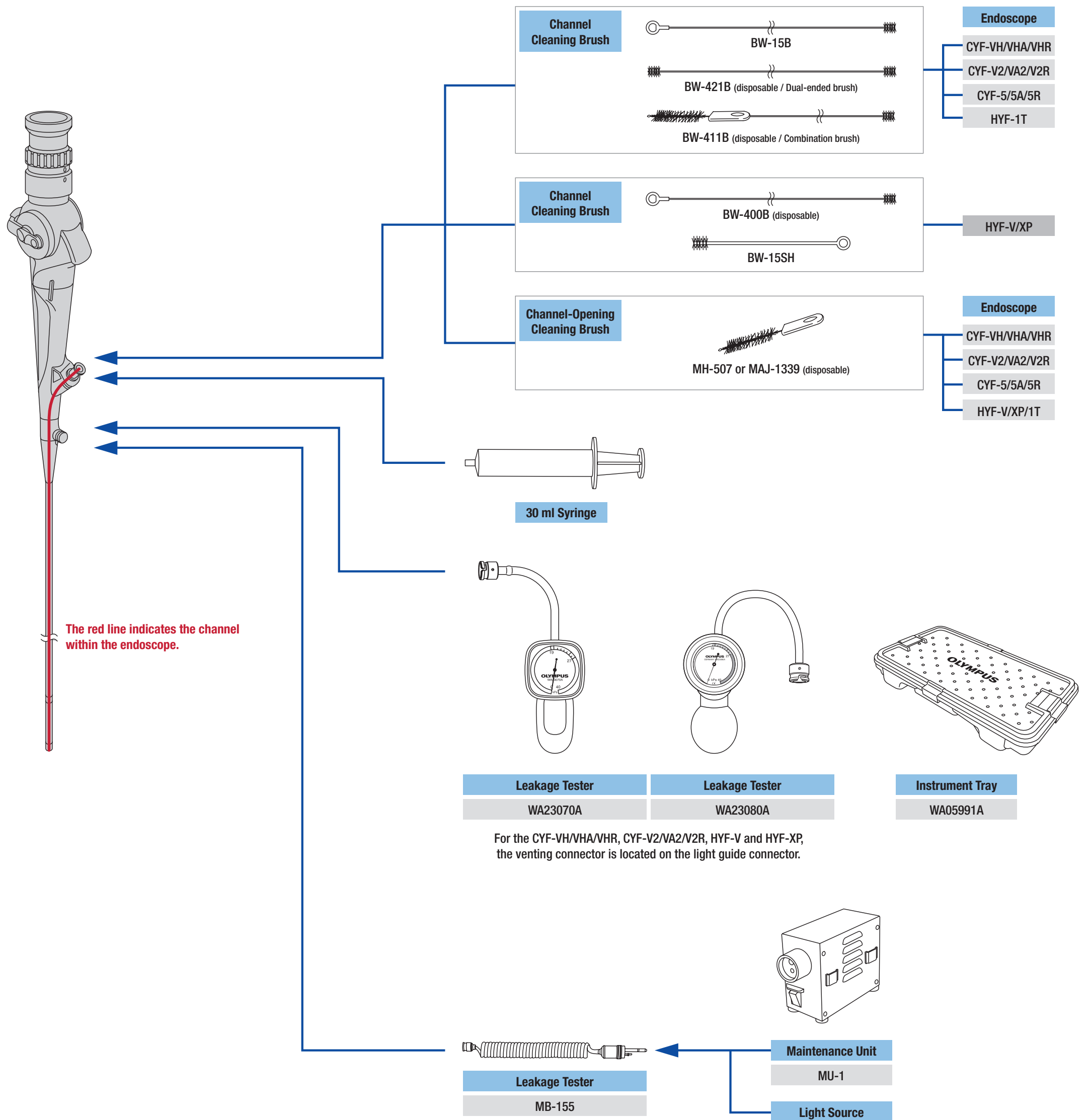


Using a sterile, lint-free cloth moistened with alcohol, thoroughly and gently wipe the external surfaces of the endoscope.

* When using WA23070A or WA23080A, open the pressure release lever.

* When using MB-155, turn the light source or MU-1 off and detach the leakage tester from the air source.

Reprocessing Tools



- Clean, disinfect, sterilize each attachment and cleaning accessory according to its instruction manual.
- Always wear personal protective equipment when cleaning, disinfecting, or sterilizing an endoscope.
- ALL channels of the endoscope MUST be cleaned and high-level disinfected or sterilized during EVERY reprocessing cycle, even if the channels were not used during the previous patient procedure.
- Decisions regarding what methods of cleaning, disinfection and sterilization should be used are the responsibility of trained specialists.
- When you use detergent solution and disinfectant solution, always follow the manufacturer's recommendations regarding temperature and soaking time.

OLYMPUS[®]